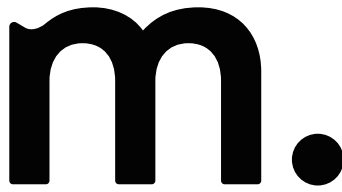


**mindcase**

**ORBI TABLE  
USER MANUAL**

**鷗比單桌使用手冊**



## Thanks for purchasing mindcase products.

Mindcase team is dedicated to making innovative, sophisticated, and elegant designs to enhance your work environment. Our goal is to make your work more enjoyable and efficient.

As a company dedicated to providing furniture that combines both aesthetics and practicality for those who value quality of life, we guarantee that all Mindcase products are manufactured under strict quality control. We use high-quality, sustainable materials and follow strict manufacturing processes to ensure safe, durable products. Our commitment to customer satisfaction and quality assurance is unwavering.

We are trying our best to make your work fun and efficient. Eco-friendly materials, simple timeless design, and multiple functions are just all you need.

## 感謝您選購Mindcase的產品。

Mindcase團隊一直致力於打造創新、精美且優雅的設計，為您的工作環境帶來提升。我們的宗旨是讓您享受更加愉悅、高效的工作體驗。身為一家追求品質生活的公司，我們致力於為您提供既具美感又實用性的家具，所有Mindcase的產品均在嚴格的質量控制下製造。我們使用高品質、可持續的材料，並遵循嚴格的製造工藝，確保產品的安全性和耐用性。對於客戶滿意度和品質保證，我們有著堅定的承諾。

我們竭盡所能讓您的工作體驗更加有趣、高效。

### Contact

Contact : Mindcase  
Contact Email : [hej@mdcsd.com](mailto:hej@mdcsd.com)  
Address : Absalonsgade 43 st th.1658 Kebenhavn

### 聯絡方式：

公司：Mindcase  
聯絡Email：[hej@mdcsd.com](mailto:hej@mdcsd.com)  
地址：Absalonsgade 43 stth.1658 Kebenhavn V

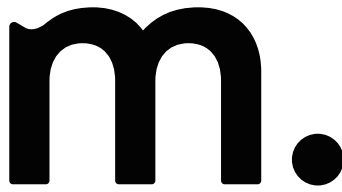
# m.

**Index** \_\_\_\_\_ **P.1**  
**索引**

**Guideline** \_\_\_\_\_ **P.2**  
**注意事項**

**Parts List** \_\_\_\_\_ **P.3**  
**零件清單**

**Assembly steps** \_\_\_\_\_ **P.4**  
**組裝步驟**



## Guideline

Please read these instructions carefully and keep them for future reference. Always follow the guidelines below when using the product to reduce the risk of injury.

Make sure all the hardwares are included in the package before you start assembling.

Use the included tools and components to assemble the product.

Do not climb, stand or sit on the desk.

Do not place object on the desk when moving.

Make sure all the bolts and beackets are tightened appropriately on regular basis.

Keep the product away from hazard environment.

To ensure safety, use the desk only as intended and in a non-abusive manner.

## 注意事項

使用前請仔細閱讀產品說明，並保留安裝手冊以備將來使用。

使用本產品時，應遵循基本的安全防範措施，以減少受傷的風險。

請注意以下內容：

請記得將所有的組件和零件的包裝打開，以確保您擁有的所有的部件。

請使用零件包內的工具組裝產品，不要使用不正確的工具組裝。

請勿攀爬、站立或坐在產品上。

移動時請勿將物品放在產品上。

請記得定期檢查，確保所有螺絲、螺釘和托架均已緊固。

請勿將產品置於潮濕環境。

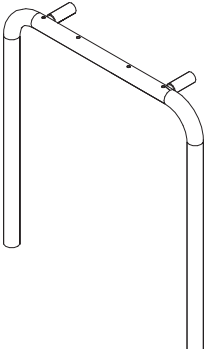
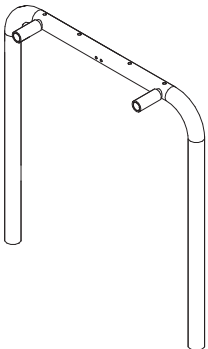
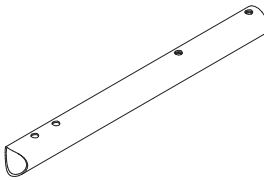
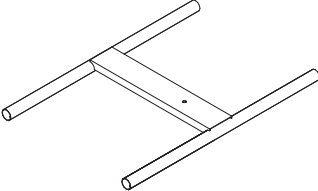
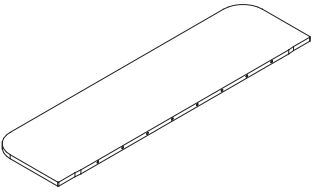
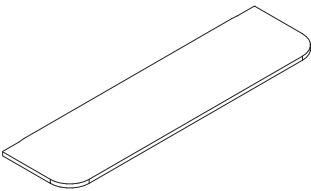

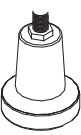
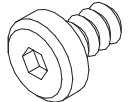

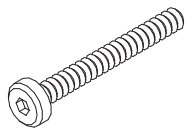
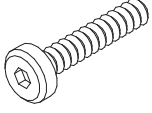
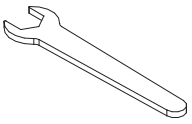
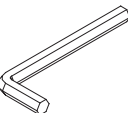
存放物品時，切勿將重物放在產品上。

使用時不按本手冊操作，可能會存在潛在的危險。

備註：選配部件所需要的螺絲皆在選配包裝內。

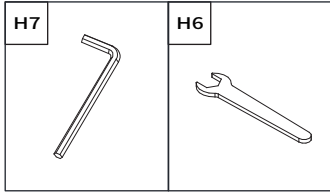
# ORBI TABLE

## Parts List

<b>A</b> Leg-A  <b>x1</b>	<b>B</b> Leg-B  <b>x1</b>	<b>C</b> Frame  <b>x4</b>	<b>D</b> Frame  <b>x1</b>
<b>E</b> Desktop  <b>x1</b>	<b>F</b> Desktop  <b>x1</b>	<b>G</b> Hook  <b>x1</b>	
<b>H1</b> M10  <b>x4</b>	<b>H2</b> M6*10  <b>x20</b>	<b>H3</b> Ø8x40  <b>x8</b>	<b>H4</b> M6*50  <b>x8</b>
<b>H5</b> M6*30  <b>x1</b>	<b>H6</b> w14  <b>x1</b>	<b>H7</b> 4mm  <b>x1</b>	

# ORBI TABLE

## Step 1



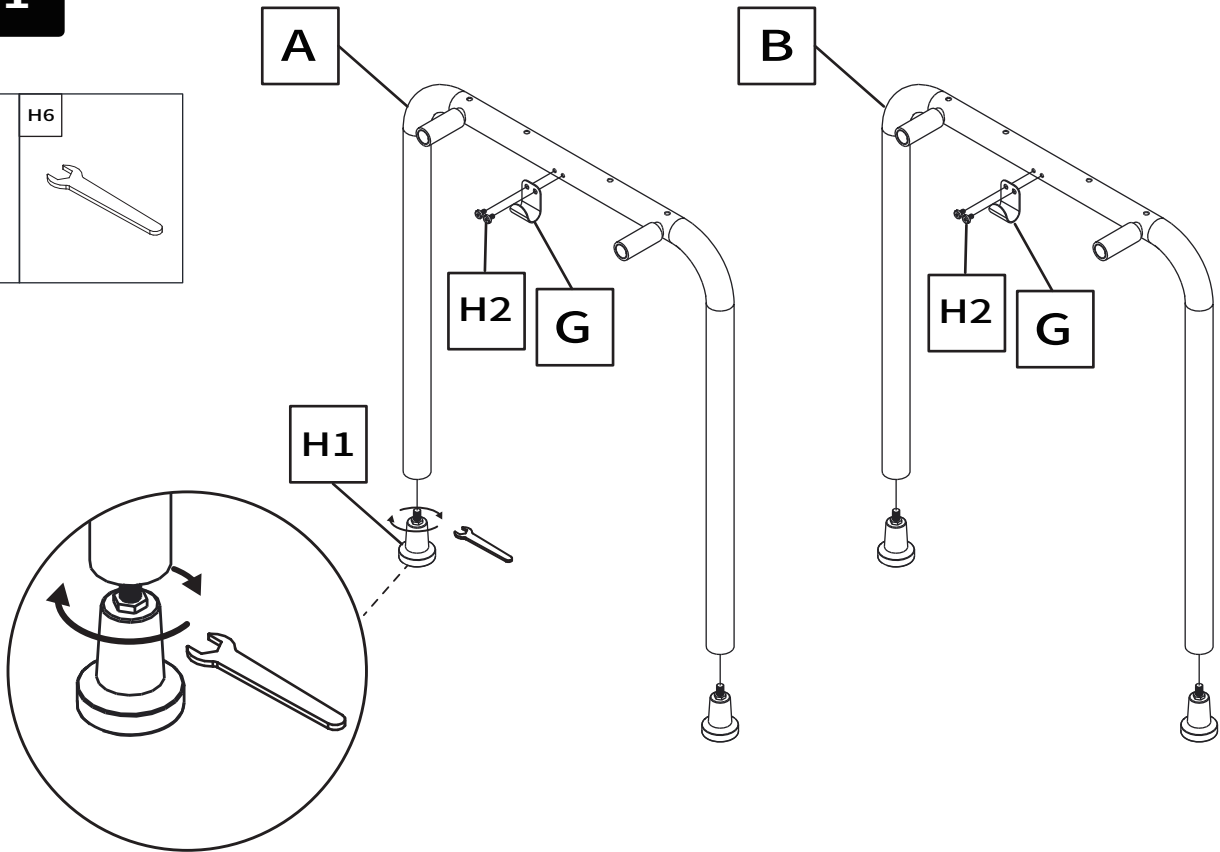
A x1

B x1

G x2

H1 x4

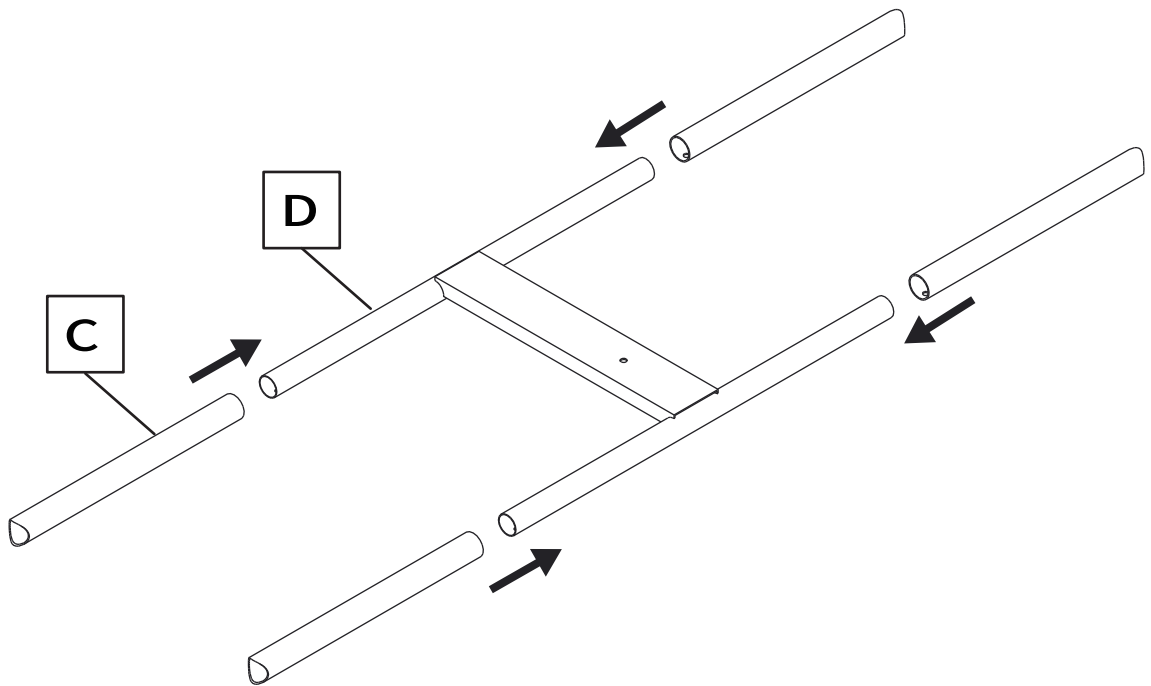
H2 x4



## Step 2

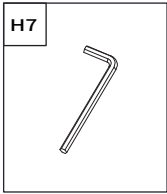
C x4

D x1

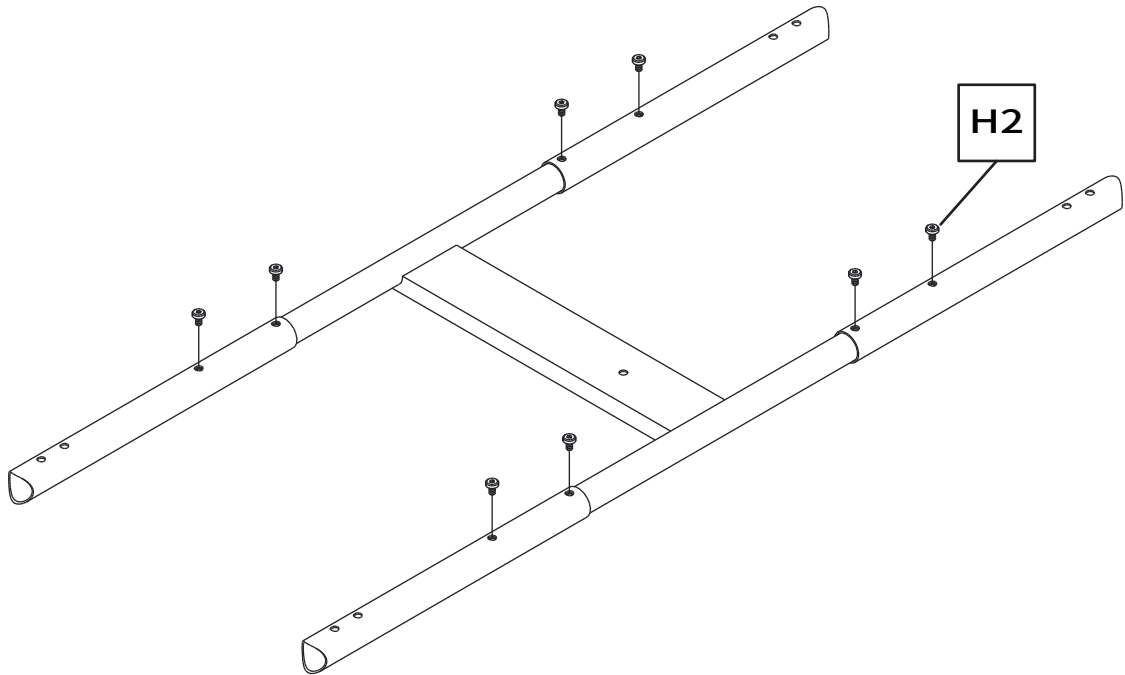


# ORBI TABLE

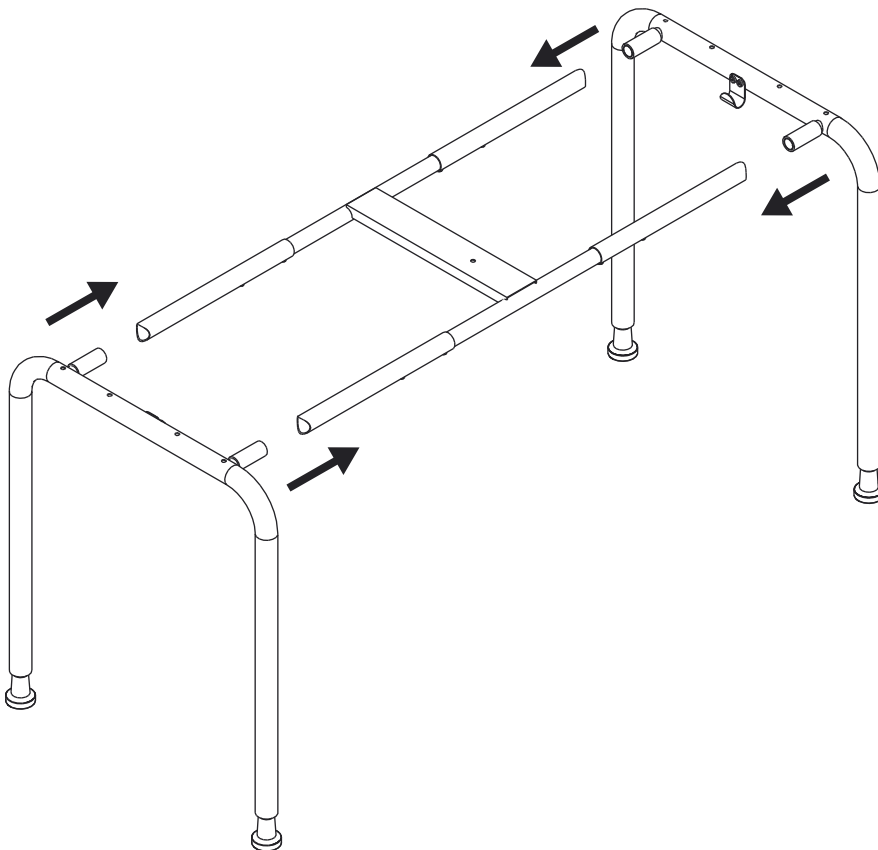
## Step 3



H2 x8

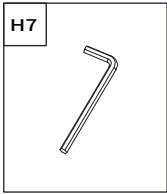


## Step 4

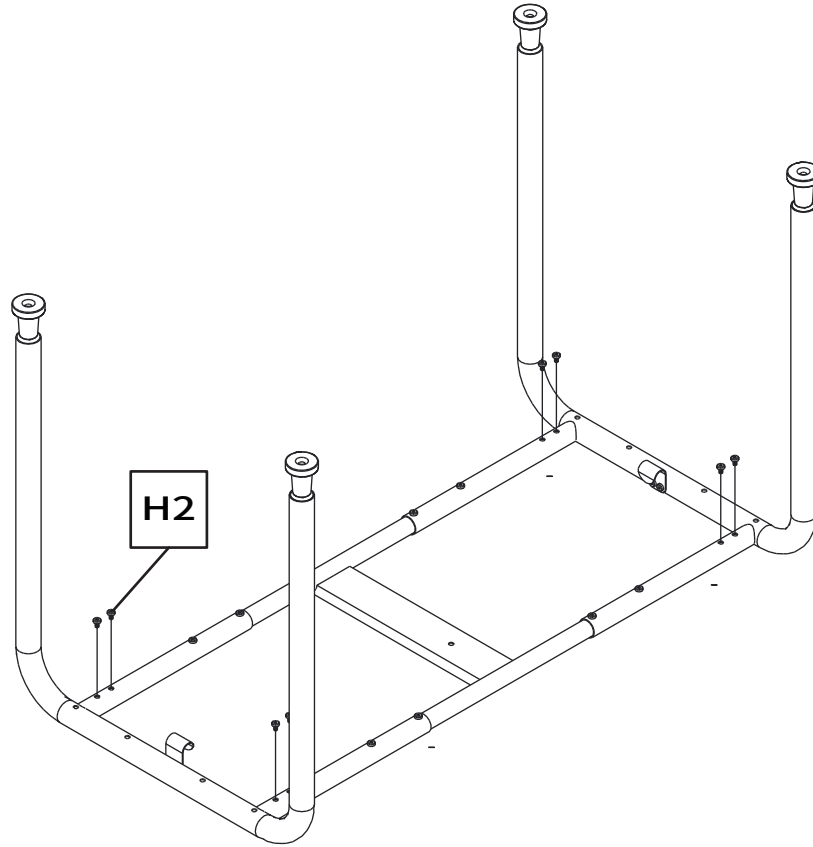


# ORBI TABLE

## Step 5



H2 x8

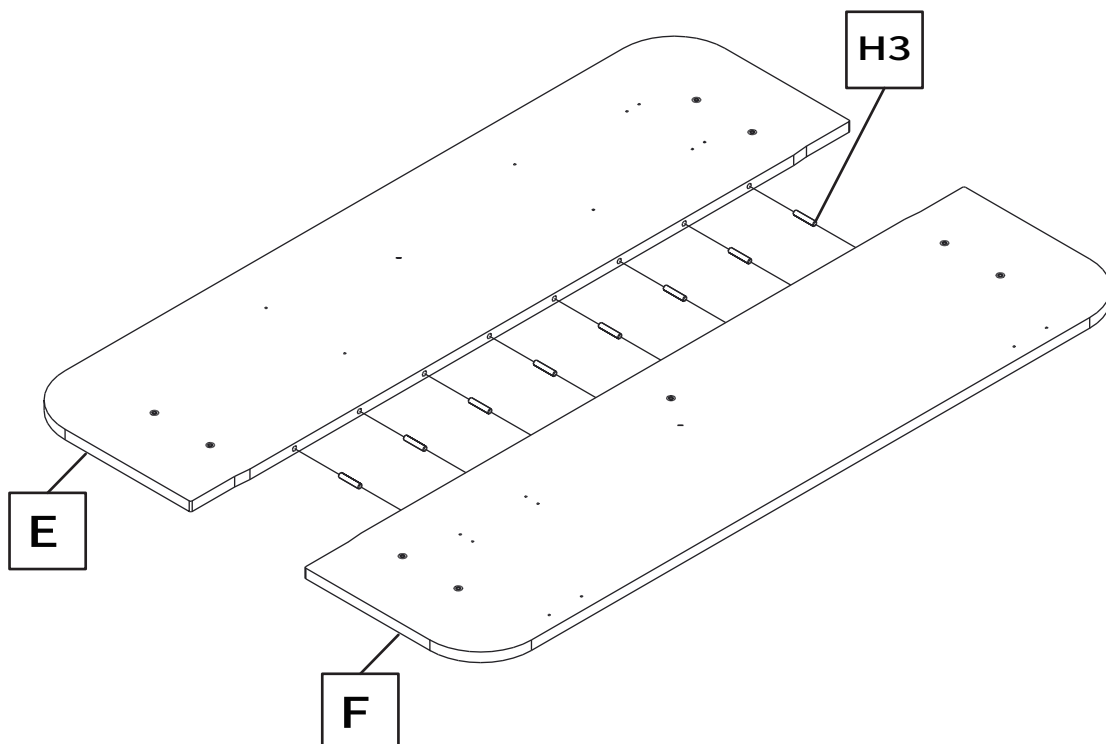


## Step 6

E x1

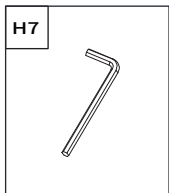
F x1

H3 x8



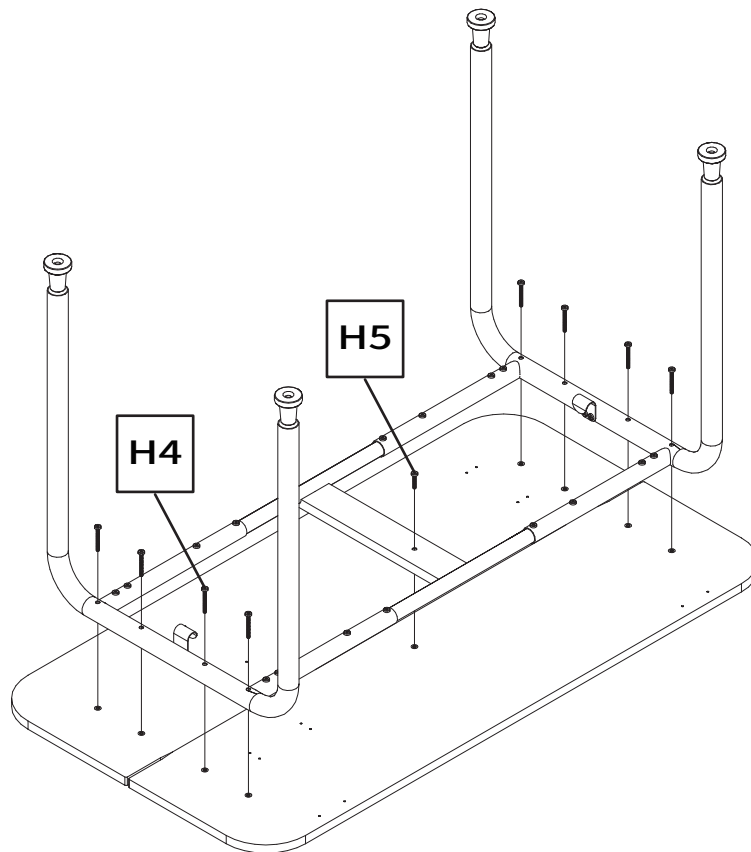
# ORBI TABLE

## Step 7



H4 x8

H5 x1



## Finish!

