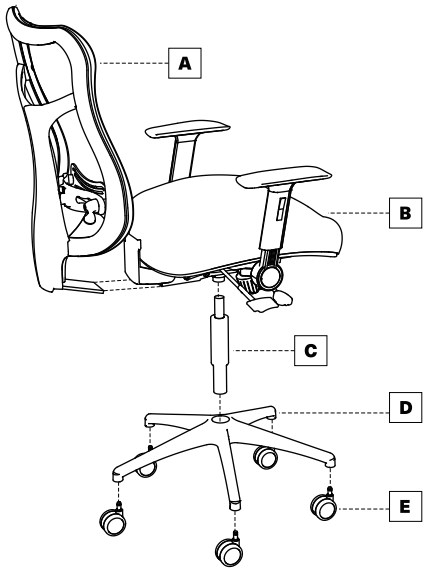


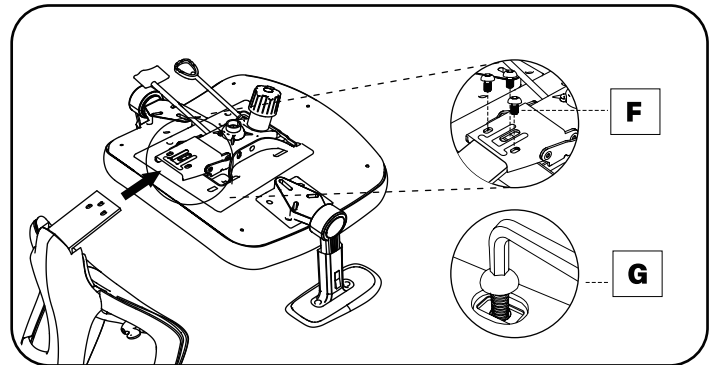
Please check whether there is any component missing before assembly.



STEP 1 A + B



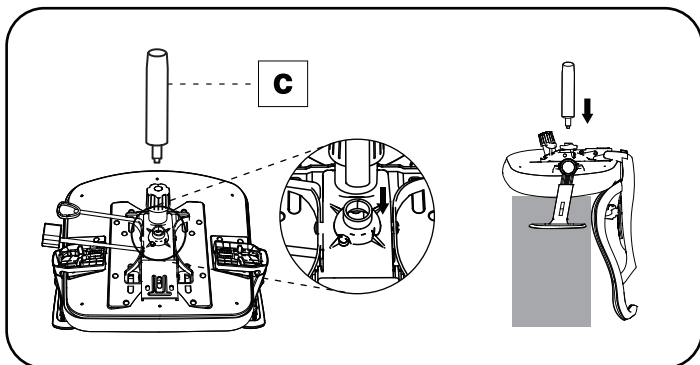
Install the screws to the seat back with the included **G** hex wrench.



⚠ Make sure all the **F** screws are installed in correct places, and then tightened every screws with the hex wrench.

STEP 2 B + C

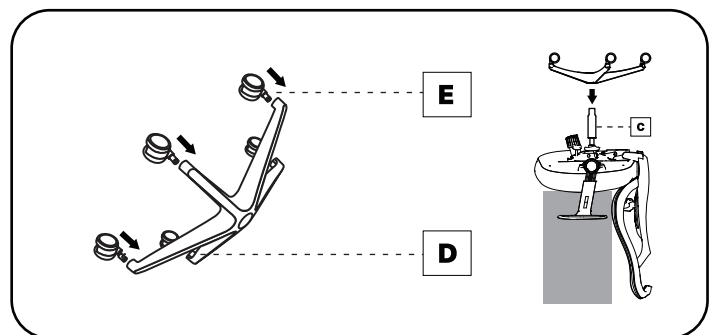
Insert the **C** gas lift directly to the **B** tilt mechanism.



⚠ Beware of the lubricant when holding the **C** gas lift.

STEP 3 D + E

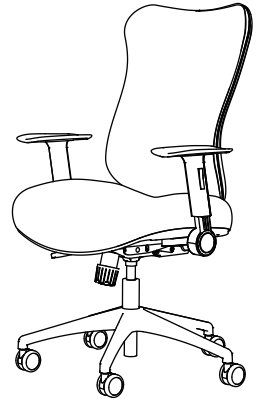
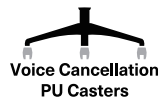
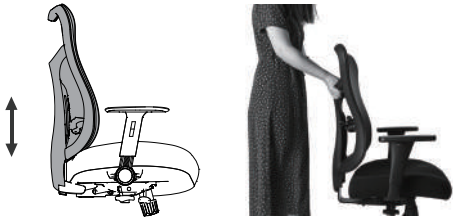
Install the **E** casters to the **D** seat base, and place the seat base on the assembled **A** seat back, **B** seat, and **C** gas lift.



⚠ Push the **E** casters hard until you hear a clear "click".

Seat Back Adjustment

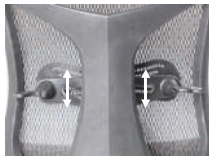
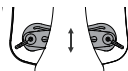
Pull the seat back up to the preferred height.



Lumbar Support Adjustment

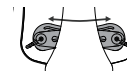
a. Height Adjustment

Push the lumbar support to the preferred height



b. Tension Level Adjustment

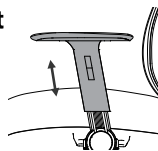
Push the control knob upward to tighten the lumbar support, Pull the control knob downward to loose the lumbar support.



Armrest Adjustment

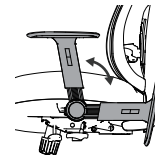
a. Height Adjustment

Press the button below the armrest pad to adjust the height.

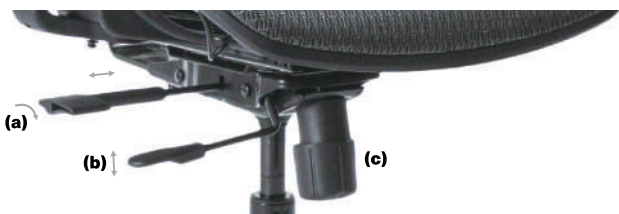


b. Rotation Adjustment

Press the button on the armrest elbow to rotate the armrest backward.



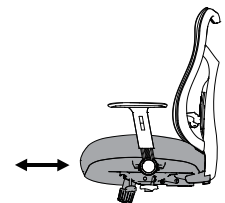
Tilt Mechanism and Seat Back Adjustment



Slide the seat with lever (b)

1. Sit on the chair and lift lever (b) up to slide the seat forward.

2. Slightly stand up and lift lever (b) again to slide the seat back to normal position.

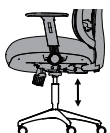


Adjust the seat height and recline with lever (a)

1. Press the lever (a) forward to adjust seat height.

2. Pull the lever (a) out from the tilt mechanism to recline.

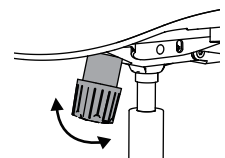
3. Push the lever (a) into the tilt mechanism to lock in certain position.

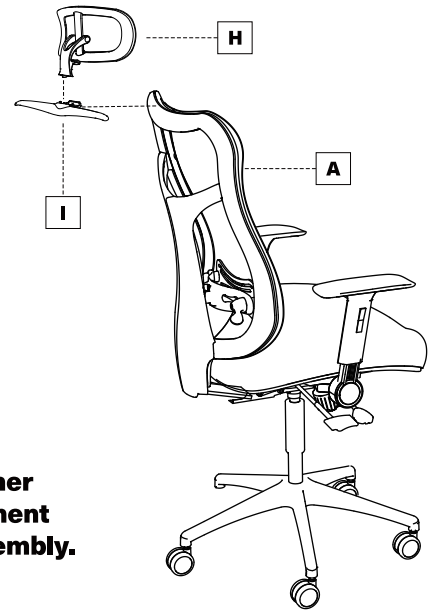
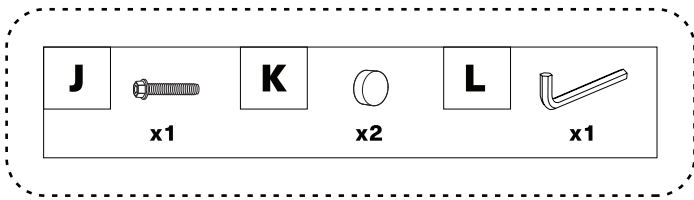
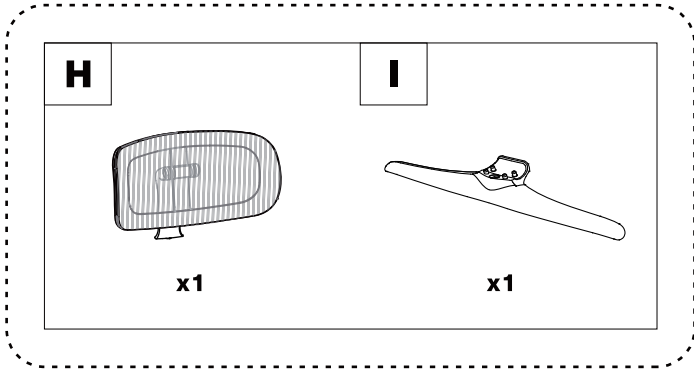


Adjust the tension of the seat back reclination with knob (c)

1. Rotate clockwise to reduce the tension.

2. Rotate counter-clockwise to raise the tension.

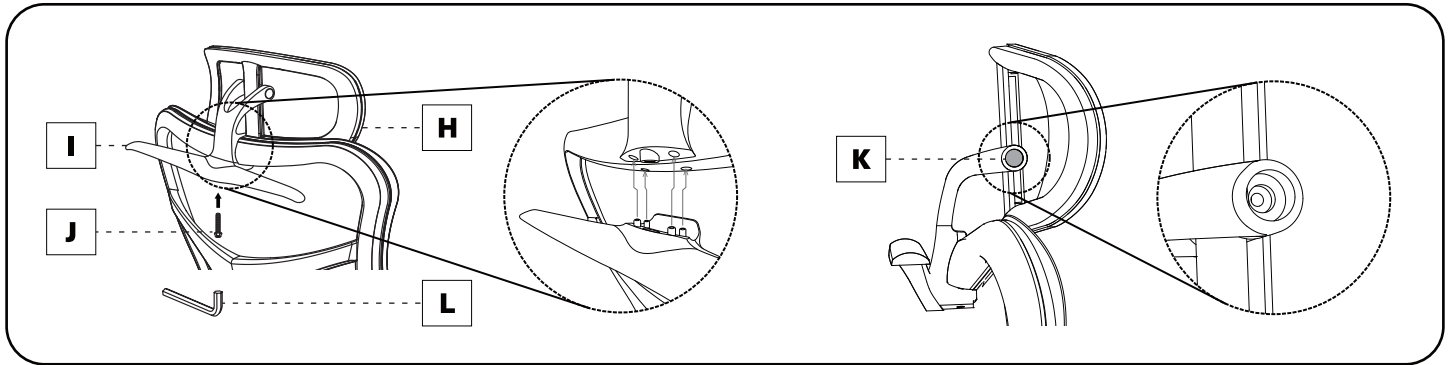




Please check whether there is any component missing before assembly.

STEP 4

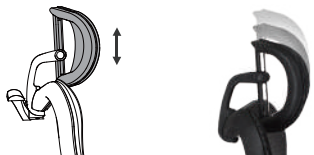
Place **I** hanger and **H** headrest together and install them to the seat back. After that, place the **K** cover on each side.



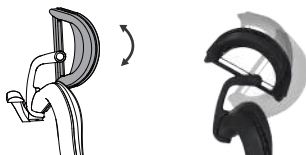
! Adjust the headrest height adjustment tension level by adjusting the phillips screw (shown as the graphic)

Headrest Adjustment

a. Adjust the headrest upward and downward to the preferred position.



b. Rotate the headrest to the preferred angle.



Hanger Function Introduction

Simply place your headphones, cables or clothes on the hanger of Viking™.

